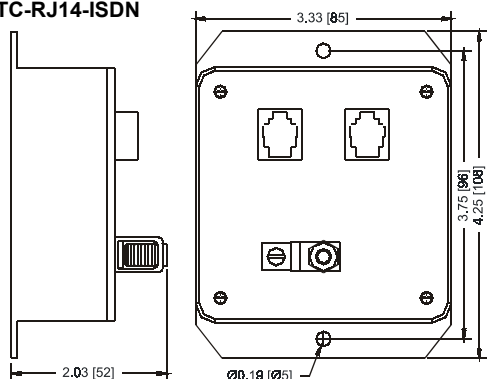




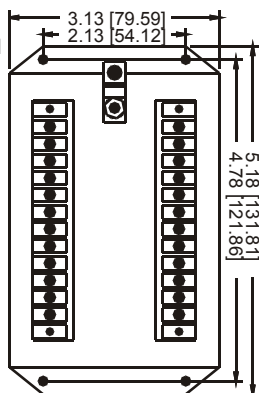
# ITC-ISDN Models

ITC-RJ14-ISDN



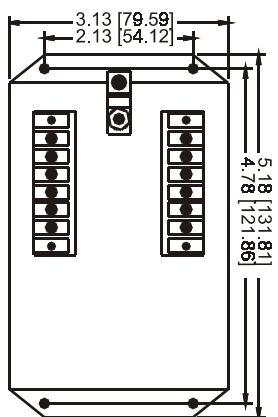
DIMENSIONS ARE IN INCHES[MM]

ITC-12T-ISDN

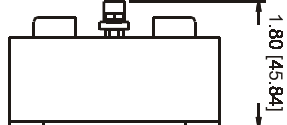


Dimensions are in inches[mm]

ITC-6T-ISDN

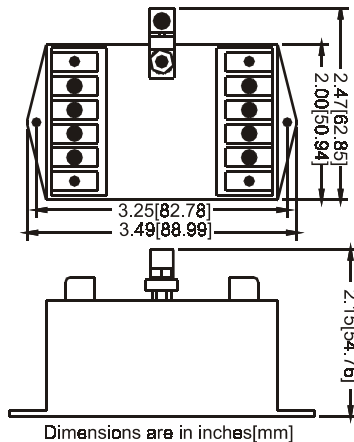


Dimensions are in inches[mm]



Specifications subject to change

ITC-4T-ISDN



Dimensions are in inches[mm]

## GENERAL SPECIFICATIONS

**Description:** Telecommunication line transient voltage surge suppression devices.

**Application:** Standard 3002/C2 unconditioned voice grade lines, fax, modem and ISDN lines.

**Warranty:** Five-Year Free Replacement

**Manufacturer Qualifications:** ISO 9001:1994 Quality System Certification BSI FM 30833

## MECHANICAL SPECIFICATIONS

**Enclosure:** ABS Plastic UL94V-0 with integral multi-point mounting feet.

**Connection:** Lines: 4T, 6T 12T-wire clamping box terminal strips, #14 (2,5 mm<sup>2</sup>) wire max. RJ14-modular jack connectors.

Ground: 10/32 lug with wire clamping box terminal #6 - #12 AWG (16 - 4 mm<sup>2</sup>)

**Weight:** RJ14 ≈ 0,22 kg (0.5 lbs.): 4T, 6T 12T ≈ 0,45 kg (1 lb.)

## ELECTRICAL/PERFORMANCE SPECIFICATIONS

**Protection Modes:** All Modes. Normal mode: tip-ring, common mode: tip-ground and ring-ground

**Data Rate:** Up to 200 kbps

**Response Time:** ≤ 1 nanosecond

**EMI/RFI Attenuation:** Up to 46 dB normal mode, up to 51 dB common mode

**Maximum Continuous Operating Voltage:** 130 Vrms (183 Vpk) tip-ring, tip-ground and ring-ground

**Peak Surge Current:** 30 kA per pair, 10 kA per mode

**Maximum Current:** RJ14: 1 Amp @ 25°C, 4T/6T/12T: 2.5 Amp

Mode	IEC 10x700 μS* Impulse 2 kV
T-G or L-G	300
R-G or L-G	300
T-R or L-L	300

\*Test environment: static, positive polarity. All voltages are peak (±10%), time base: 1ms.



(itcisdns.doc 11/26/02) ZM02-271