

EXCLUSIVE  
L.T. 20 YEAR  
**20**  
WARRANTY  
FREE  
REPLACEMENT

# PTX048/PTE048

## GENERAL SPECIFICATIONS

**Peak Surge Current:** 48 kA per phase; 24 kA per mode

**ANSI/IEEE C62.41 Location Categories:** A and B.

**Application:** Medium to Low Exposure Level, sensitive, mission critical load applications including: distribution panels, branch panels and critical load centers.

**Warranty:** Twenty-Year Free Replacement

**Unit Listings:** UL1449 SECOND EDITION, cUL, UL1283 filter

**Manufacturer Qualifications:** ISO 9001:1994 Quality System Certification BSI FM 30833

## MECHANICAL SPECIFICATIONS

**Enclosure:** Powder Coated Steel, weatherproof; NEMA Type 4 (IP66), meets or exceeds Type 1, 12, 13 & 3R

**Mounting:** Internally threaded fittings and mounting flanges  
*PTX* & < 240 V *PTE*: 3/4" (13 mm) pre-mounted hub, flush mount plate available ≥ 240 V *PTE*: 3/4" (19 mm) installer placed hub.

**Connection:** #10 (6 mm<sup>2</sup>) stranded wire.

**Weight:** *PTX* & < 240 V *PTE*: ≈ 3 kg (7 lbs), *PTE* ≥ 240 V: ≈ 5.5 kg (12 lbs)

**Operating Temperature:** -40° C (-40° F) to +65° C (149° F)



## ELECTRICAL/PERFORMANCE SPECIFICATIONS

**Protection Modes:** Discrete All Mode (10 modes 3φY/Star units): L-N, L-L (normal mode), L-G, N-G (common mode)

**Input Power Frequency:** *PTE* & all SD optioned units: 47-64 Hz, *PTX*: 47-420 Hz

**Capacitance:** *PTE*: Up to 10 μF per mode

**NOTE:** For applications where earth leakage current may be of concern please utilize *PTX* models.

**Diagnostics:** LED indicators, 1 per phase, normally on. Remote Alarm Form C (Volt Free), N/O or N/C contacts (contact rating 1 Amp, 120 VAC or 2 Amp, 30 VDC), internal terminal strips and weatherproof fitting.

**Short Circuit Current Rating:** 200 kAIC using 30 A Class R fuse (not provided).

Maximum EMI/RFI Attenuation – Mil-Std-220

1 kHz	10 kHz	100 kHz	1 MHz	10 MHz	Maximum Attenuation Frequency
3 dB	20 dB	40 dB	23 dB	7 dB	40 dB @ 115 kHz

## OPTIONS AVAILABLE

**Active Tracking Network (ATN<sup>®</sup>):** *PTE* models

**Audible Alarm, Surge Counter and Phase Loss Monitor (S.M.A.R.T.<sup>™</sup>):** (-SD suffix)

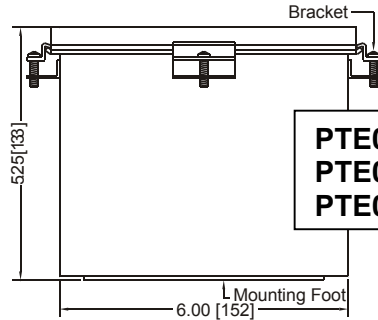
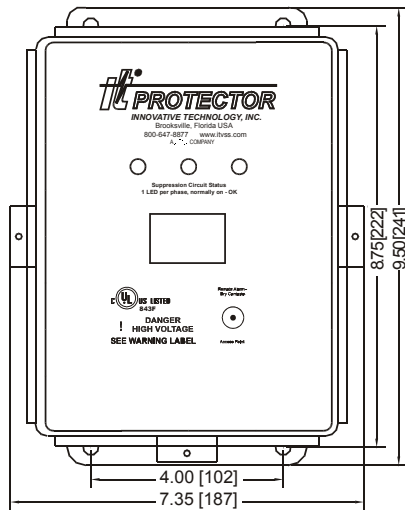
**Stainless Steel, Type 4X enclosure:** (-SS suffix) (contact factory, min qty applies)

**Fused:** (-L suffix) (See web site for current field drawings)

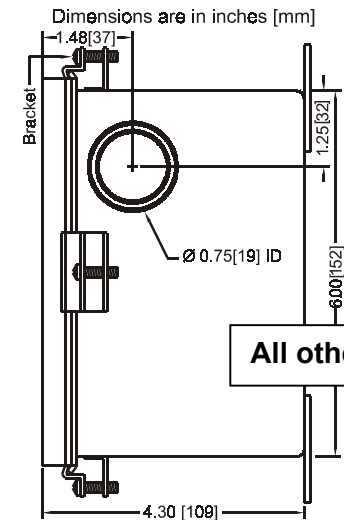
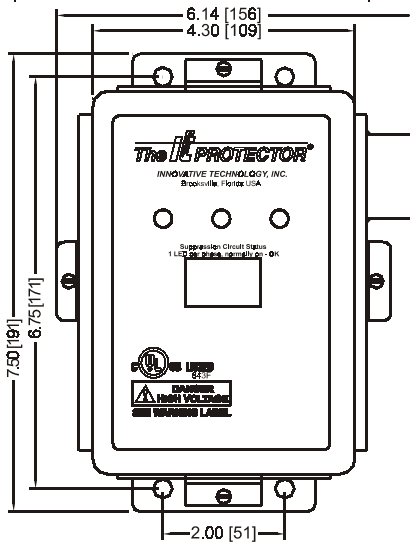
**Fused Disconnect:** (-D suffix) (See web site for current field drawings)

**ARM-3 Remote Alarm Module**

# PTX048/PTE048



**PTE048-1P201 PTE048-NN201**  
**PTE048-3Y201 PTE048-NN400**  
**PTE048-3Y300 PTE048-NN501**



Flush mount plate available:  
 8x6 enclosure = **ZPLATE-3A**  
 6x4 enclosure = **ZPLATE-8**

**All other PTX and PTE products**

Side view with lid

PTX048 PTE048	System Config	Nominal System Voltage	MCOV	ANSI/IEEE C62.41-1991 Measured Limiting Voltage*								UL SVR UL 1449-2 Suppressed Voltage Ratings	
				PTE Models A1 Ring Wave 2 kV, 67 A 180° Phs Angle		PTE Models A1 Ring Wave 2 kV, 67 A 90° Phs Angle		All Models B3/C1 Impulse 6 kV, 3 kA 90° Phs Angle		All Models C3 Impulse 20 kV, 10 kA 90° Phs Angle		L-N L-G HiL-N	L-L N-G HiL-G
				L-N L-G HiL-N	L-L N-G HiL-G	L-N L-G HiL-N	L-L N-G HiL-G	L-N L-G HiL-N	L-L N-G HiL-G	L-N L-G HiL-N	L-L N-G HiL-G		
<b>1P101</b>	1 φ 2w+grnd	100, 110, 120, 127	150	60 100	-- 90	220 260	-- 80	350 380	-- 520	660 830	-- 890	400 400	-- 400
<b>1P201</b>	Single φ 2w+grnd	200, 208, 220, 230, 240, 277	320	90 90	-- 90	460 510	-- 90	600 600	-- 600	950 950	-- 950	800 800	-- 800
<b>1S101</b>	Split φ 3w+grnd	100/200, 110/220 120/240, 127/254	150/300	60 100	90 60	220 260	380 80	350 380	600 520	660 830	950 890	400 400	700 400
<b>3Y101</b>	3 φ Y/Star 4w+grnd	100/175, 110/190 120/208, 127/220	150/300	60 100	90 60	220 260	380 80	350 380	600 520	660 830	950 890	400 400	700 400
<b>3Y201</b>	3 φ Y/Star 4w+grnd	220/380, 230/400 240/415, 277/480	320/640	70 120	100 70	460 510	850 90	580 660	960 940	970 1200	1400 1400	800 800	1500 800
<b>3Y300</b>	3 φ Y/Star 4w+grnd	305/525, 347/600	460/920	70 120	90 70	550 610	1000 70	760 830	1300 1200	1200 1400	1700 1700	1000 1000	2000 1000
<b>3D101</b>	3 φ Δ (Hi-Leg) 4w+grnd	120/240	150/300	50 90 50	70 70 90	210 260 380	410 70 420	350 830 650	620 970 690	860 1300 1100	1100 1400 1300	400 400 800	1500 400 800
<b>NN201</b>	3 φ Δ 3w+grnd	200, 208, 220 230, 240	320	-- 590	70 --	-- 760	390 --	-- 510	520 --	-- 1100	920 --	-- 800	800 --
<b>NN400</b>	3 φ Δ 3w+grnd	380, 400, 415 440, 480	580	1100	60	--	770	--	1300	--	1500	--	1500
<b>NN501</b>	3 φ Δ 3w+grnd	525, 600	750	-- 1100	40 --	-- 1470	950 --	-- 1200	1300 --	-- 1800	1800 --	-- 1800	1800 --

\*Test environment: All tests performed with 6" lead length, positive polarity. Voltages are peak ±10%. Measurements are taken from zero reference per NEMA LS-1.